



KaozhengPro

IT認證考試題庫 專業平臺

考證寶提供最新考古題與模擬試題
協助您高效通過認證考試

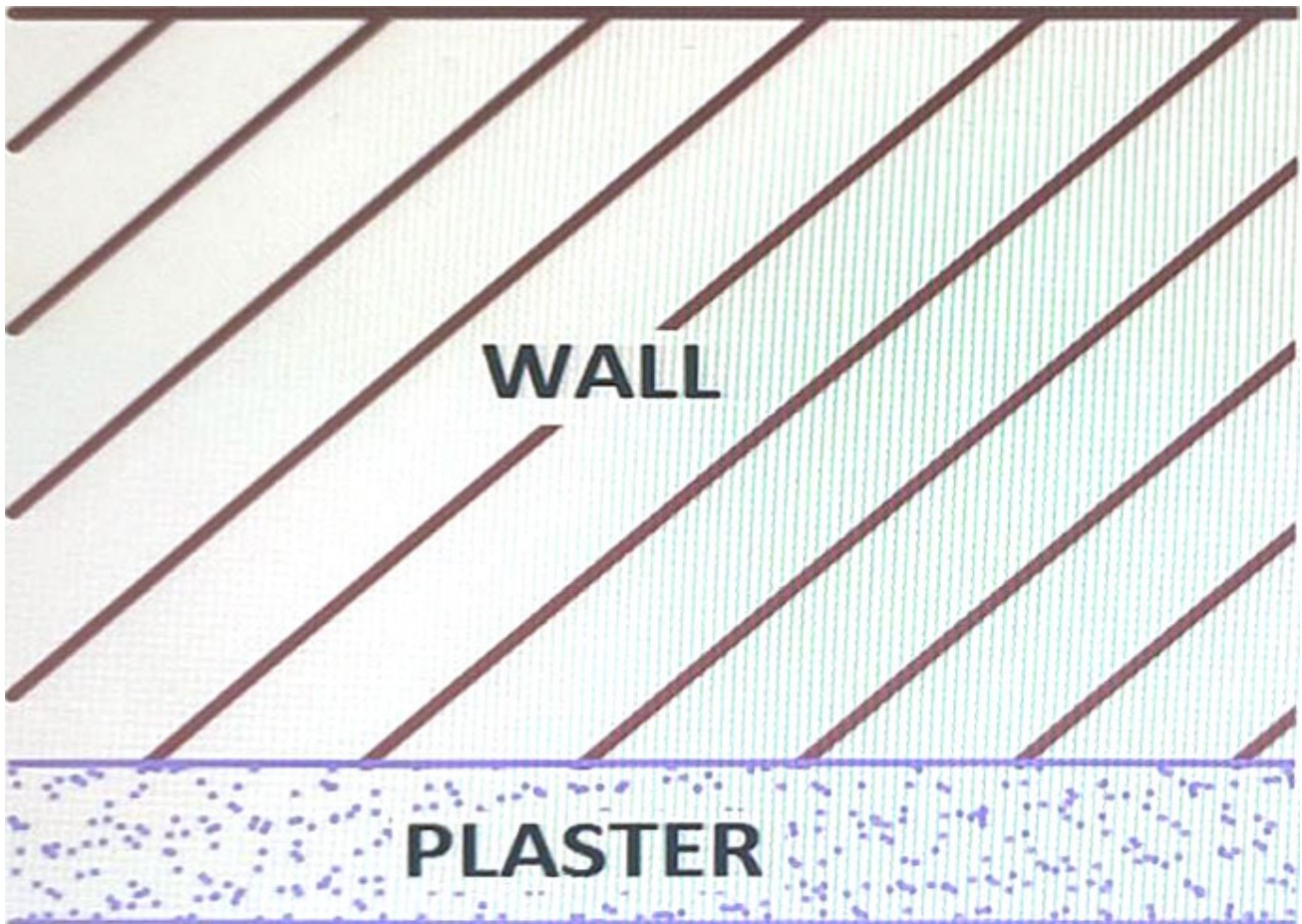
www.kaozhengpro.com

Exam : **ACP-01101**

Title : Autodesk Certified
Professional in AutoCAD for
Design and Drafting

Version : DEMO

1.Exhibit



This image needs to be reproduced in AutoCAD. The wall and plaster lines need to be on separate layers.

After drawing the top wall line on the wall layer, then selecting it, what two options in the Offset (OFFSET) command should be used to offset and place the resulting lines on the plaster layer? (Choose two.)

- A. Specify Offset Distance
- B. Select Current
- C. Select Object
- D. Select Layer

Answer: AD

Explanation:

The offset command is used to create parallel lines, concentric circles, and parallel curves¹. To use the offset command, you need to specify the offset distance and select the object that you want to offset²³.

2.You are modifying an AutoCAD drawing for a customer.

You would like to bring your customers attention to a specific area of the drawing that you modified for review.

Which type of object is conventionally used?

- A. A viewport
- B. A construction line

- C. A solid hatch
- D. A revision cloud

Answer: D

Explanation:

The type of object that is conventionally used for this purpose is D. A revision cloud¹²³. A revision cloud is a way to highlight changes or revisions in a drawing by creating a cloud-shaped polyline around them¹². You can create a revision cloud by moving the mouse or by converting existing objects². You can also change the style, color, layer and properties of the revision cloud¹³.

3.DRAG DROP

Move three applicable xref options from the list on the left to the corresponding functions on the right

Xref options may be used once or not at all. (Select 3)

Xref Options	Answer area	
Bind		Removes the xref drawing from the host drawing permanently and erases all instances of the xref drawing.
Detach		Retrieves the xref drawing and displays the most recently saved version of the drawing.
Reload		Converts the xref drawing into a block, making the drawing a permanent part of the host drawing.
Unload		
Xref Type		

Answer:

Xref Options	Answer area	
Bind	Detach	Removes the xref drawing from the host drawing permanently and erases all instances of the xref drawing.
Detach	Reload	Retrieves the xref drawing and displays the most recently saved version of the drawing.
Reload	Bind	Converts the xref drawing into a block, making the drawing a permanent part of the host drawing.
Unload		
Xref Type		

Explanation:

Removes the xref drawing from the host drawing permanently and erases all instances of the xref drawing. = Detach

<https://knowledge.autodesk.com/support/autocad/learn-explore/caas/CloudHelp/cloudhelp/2020/ENU/AutoCAD-Core/files/GUID-70599862-DF52-4291-B64B-8A4C45599F39-htm.html>

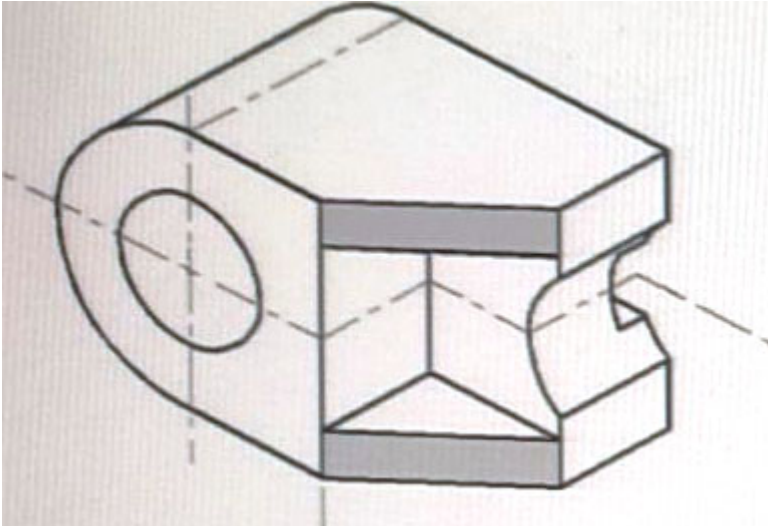
Retrieves the xref drawing and displays the most recently saved version of the drawing. = Reload

<https://knowledge.autodesk.com/support/autocad/learn-explore/caas/CloudHelp/cloudhelp/2020/ENU/AutoCAD-Core/files/GUID-70599862-DF52-4291-B64B->

8A4C45599F39-htm.html

Converts the xref drawing into a block, making the drawing a permanent part of the host drawing. = Bind
<https://knowledge.autodesk.com/support/autocad/learn-explore/caas/CloudHelp/cloudhelp/2020/ENU/AutoCAD-Core/files/GUID-70599862-DF52-4291-B64B-8A4C45599F39-htm.html>

4.Refer to the exhibit.



When working on this part created with AutoCAD solids, the dimensions of the shaded planes need to be established.

Which U'CS shows the correct size and shape of the shaded planes?

- A. Face
- B. Vertical
- C. World
- D. View

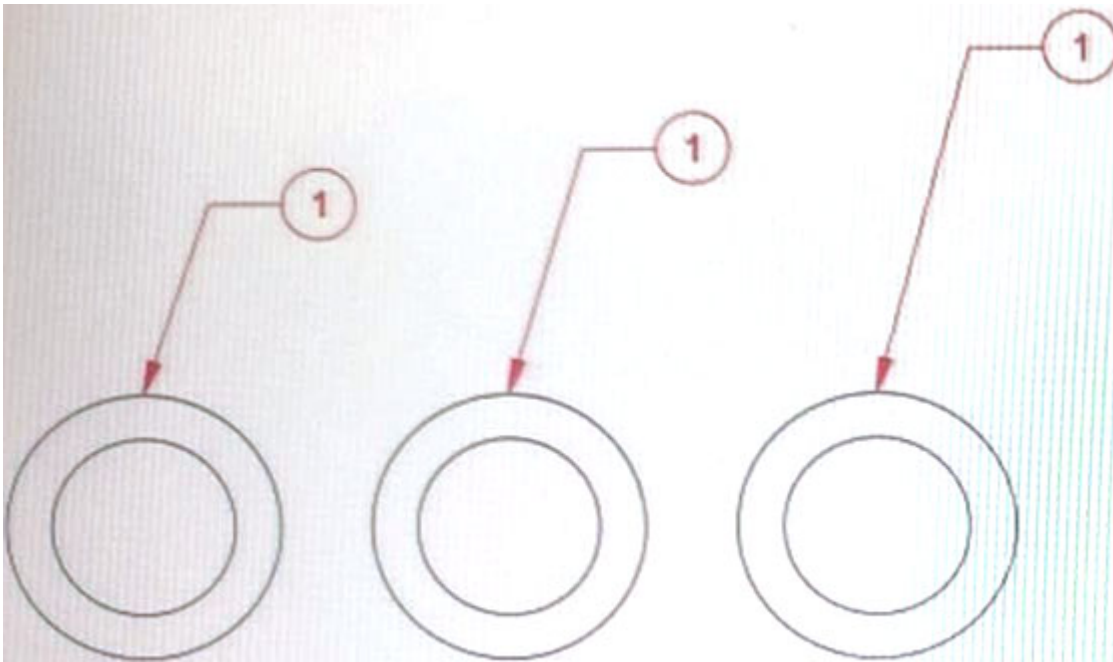
Answer: A

Explanation:

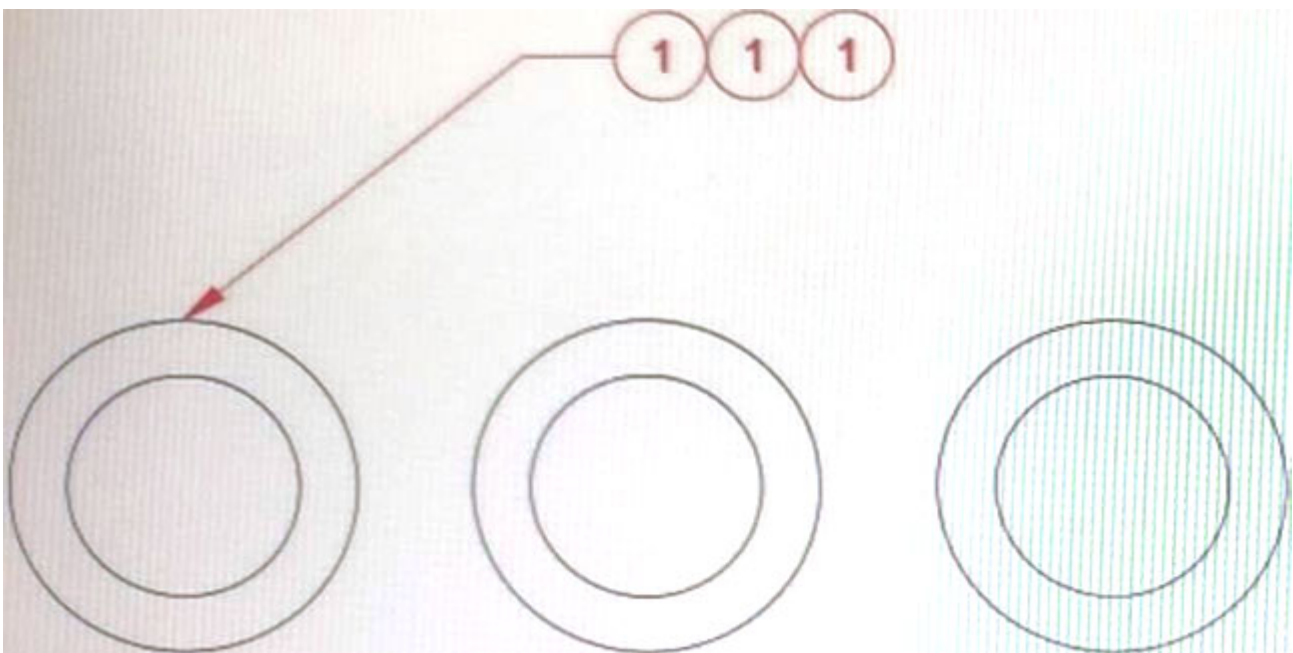
The UCS is a moveable Cartesian coordinate system that establishes the XY work plane, horizontal and vertical directions, axes of rotation, and other useful geometric references¹. You can change the UCS origin and orientation for convenience as you specify points, enter coordinates, and work with drawing aids¹.

The face option sets a new UCS based on a selected face of a 3D solid object². This option will align the XY plane of the UCS with the selected face and show its correct size and shape².

5.You have three multileaders as shown in exhibit 1. (Refer to the exhibit 1 tab.)



You need to change the display of the multileaders to match the multileaders in exhibit. (Refer to the exhibit 2 tab.)



Which command should you use?

- A. Align Leader
- B. Collect Leader
- C. Remove Leader
- D. Add Leader

Answer: B

Explanation:

The command that you should use is B. Collect Leader¹. The collect leader option groups multiple leaders into one multileader object with a common landing line¹. This option is useful when you want to create a single label or callout for multiple objects².

To use this option, you need to select the MLEADER command and then select Collect Leader from the Options menu. Then you can select two or more existing multileaders that have similar properties and press Enter. The selected multileaders will be collected into one multileader object with a common landing line1.