



IT認證考試題庫 專業平臺

考證寶提供最新考古題與模擬試題
協助您高效通過認證考試

www.kaozhengpro.com

Exam : **HP0-P12**

Title : Servicing HP Integrity
Entry-Level Server

Version : Demo

1. Which are valid ways to configure the iLO2 MP with an IP address? (Select two.)
 - A. through the rs232 port with the LC command
 - B. through the rs232 port with the LM command
 - C. through the rs232 port with the ipconfig command
 - D. through the arp -s [ipaddress] [MAC address] at command prompt
 - E. through the enable persistent ip [ipaddress] [MAC address] at command prompt

Answer: AD

2. Click the Exhibit button.

1 Upgrading the I/O Backplane

I/O Backplane Upgrade Overview

The HP Integrity rx3600 Server and rx6600 Server may be upgraded from the 10 slot PCI/PCI-X I/O backplane to the 10 slot PCI/PCI-X/PCI-E I/O backplane.

CAUTION: HP rx3600 and rx6600 servers with the PCI/PCI-X I/O backplane support HP-UX 11i v3 and earlier. HP rx3600 and rx6600 servers with the PCI/PCI-X/PCI-E I/O backplane currently support HP-UX 11i v2 (B.11.23) and earlier. HP does not currently support upgrading HP rx3600 and rx6600 servers with the PCI/PCI-X I/O backplane running HP-UX 11i v3 to the PCI/PCI-X/PCI-E backplane. This upgrade is expected to be supported in a subsequent release.

Table 1-1 provides a comparison of the two backplanes for planning movement of I/O cards.

Core I/O cards must be placed in appropriate slots. The HP 8 Internal Port SAS HBAs or HP Smart Array P600 PCI-X cards must be installed in slots 1 and 2. The HP Smart Array P400 and HP Smart Array P800 PCI-E cards must be installed in slots 3 and 4. The Core LAN card is placed in slot 2, unless that slot is occupied by a SAS or Smart Array card. In such instances the Core LAN is placed in slot 10.

Table 1-1 Slot Speed Comparison and Planning Table

Slot Number	PCI/PCI-X I/O Backplane	Installed I/O Card	PCI/PCI-X/PCI-E I/O Backplane	Upgraded I/O Configuration
1	Core I/O Only- PCI-X 66 MHz ¹		Core I/O Only- PCI-X 66 MHz ¹	
2	Core I/O Only -PCI-X 66 MHz ¹		Core I/O Only- PCI-X 66 MHz ¹	
3	PCI-X 266 MHz		PCI-E x8 ²	
4	PCI-X 266 MHz		PCI-E x8 ²	
5	PCI-X 133 MHz		PCI-E x8	
6	PCI-X 133 MHz		PCI-E x8	
7	PCI-X 66 MHz ³		PCI-X 133 MHz	
8	PCI-X 66 MHz ³		PCI-X 133 MHz	
9	PCI-X 66 MHz ⁴		PCI-X 66 MHz ⁴	
10	PCI-X 66 MHz ⁴⁵		PCI-X 66 MHz ⁴⁵	

¹ Slots 1 and 2 are shared slots on both backplanes.

² Slots 3 and 4 are switched slots on the PCI/PCI-X/PCI-E backplane.

³ Slots 7 and 8 are shared slots on the PCI/PCI-X backplane.

⁴ Slots 9 and 10 are shared slots on both blackplanes and are half length.

⁵ Core I/O LAN may occupy slot 10.

When installing a Smart Array P800 controller in an Integrity rx3600 or an Integrity rx6600 system, which slots should be used? (Select two.)

- A. PCI-X slot 1
- B. PCI-X slot 2
- C. PCI-E slot 1
- D. PCI-E slot 2
- E. PCI-E slot 4
- F. PCI-E slot 3

Answer: EF

3. A Machine Check Abort has occurred on your customer's Integrity rx4640 server. Which action do you take to extract and analyze why the machine crashed?

- A. EFI> run mca
- B. MP> cat /EFI/crash
- C. Shell> errdump mca
- D. copy the mca file to a computer and unzip the file

Answer: C

4. Which three conditions are used to support a pre-failure warranty replacement on HP SAS Drives? (Select three.)

- A. blinking red LED on the SAS controller
- B. error logged regarding bad sectors in the BMC log
- C. drives are connected to HP Smart Array Controller
- D. the server is managed by HP System Insight Manager
- E. error messages shown up in the server EFI console during system restart
- F. uses SMART capable firmware on the drive that enables extensive fault prediction

Answer: CDF

5. After replacing two DIMMs of memory on an rx2660 server, which EFI command is used to verify that the new DIMMs are properly recognized?

- A. help
- B. info fw
- C. boottest
- D. info mem

Answer: D

6. How can the state of the Server Status LEDs of an rx2660 server be checked remotely?

- A. From the iLO2 MP Main Menu, execute VFP.
- B. From the iLO2 MP Command Menu, execute LOC.
- C. From the iLO2 Web GUI, activate remote diagnostic tool.
- D. From the iLO2 Web GUI, select System Status, then Server Status.

Answer: A

7. You want to use the iLO2 MP vMedia feature to update system firmware online, but it is not possible. What can cause this problem?

- A. The iLO2 MP Advanced Pack is not applied.

- B. The vMedia feature must be enabled in the EFI.
- C. The USB drive must be connected to the server to use vMedia.
- D. The system board switch enabling vMedia features must be set to "on" position.

Answer: A

8. Click the Exhibit button.

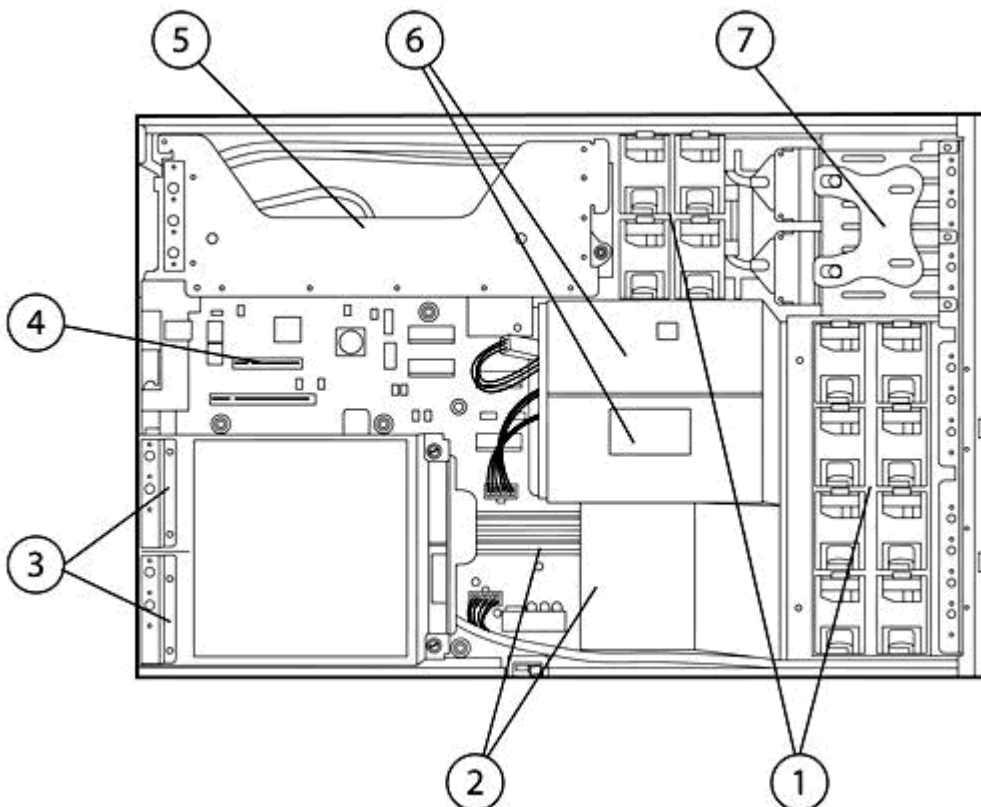
The picture is missing.

During the troubleshooting process, you want to verify if the power supplies on an rx3600 server are operating properly. Which number on the exhibit represents the power supply LED?

- A. 1
- B. 2
- C. 3
- D. 4
- E. 5

Answer: D

9. Click the Exhibit button.



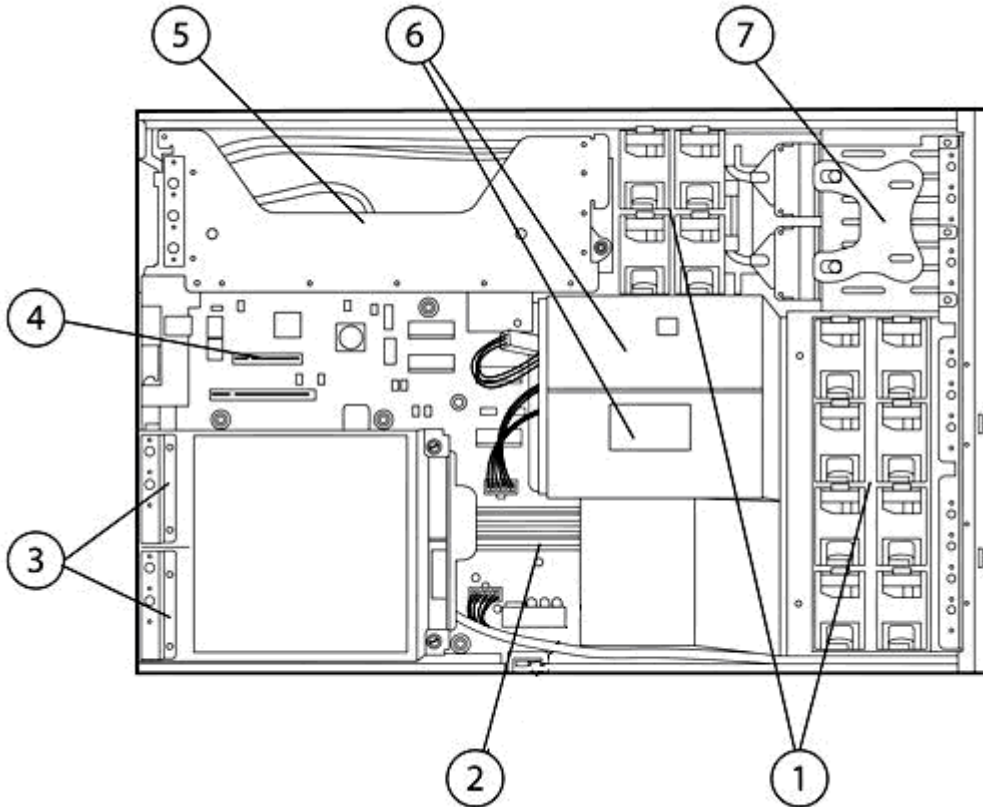
You must replace a failed processor on an HP Integrity rx2660 server. Which number on the exhibit represents the location of the processors?

- A. 2
- B. 3
- C. 4
- D. 5

E. 6

Answer: E

10. Click the Exhibit button.



You must replace a failed memory DIMM on an HP Integrity rx2660 server. Which number represents the location of the memory DIMMs?

- A. 2
- B. 3
- C. 4
- D. 5
- E. 6

Answer: A

11. Select the HP Integrity entry-level system that does not support hot swap power supply.

- A. rx2660
- B. rx3600
- C. rx6600
- D. rx1620

Answer: D

12. Which HP-UX operating system version(s) can take advantage of the hyperthreading feature introduced with the Intel Itanium2 Dual Core Montecito CPUs?

- A. HP-UX 11iv1

- B. HP-UX 11iv2
- C. HP-UX 11iv3
- D. HP-UX 11.00

Answer: C

13. On an HP Integrity rx2660 server, which components are hot-swappable? (Select two.)

- A. fan unit
- B. PCI card
- C. power supply
- D. I/O backplane
- E. memory DIMM

Answer: AC

14. What is the default terminal setting for a serial console to connect to an HP Integrity entry-level system?

- A. 8-bits; No parity; 1 stop bit; Xon-Xoff
- B. 8 bits; No parity; 2 stop bits; Enq-Ack
- C. 8 bits; Even parity; 1 stop bit; Xon-Xoff
- D. 8 bits; Odd parity; 2 stop bits; Enq-Ack

Answer: A

15. Which statement regarding hot swap and/or hot plug is correct?

- A. A hot-pluggable part always has hot swappable capabilities.
- B. Hot-swappable parts could only be found in rx3600 and rx6600 servers.
- C. A hot-pluggable part requires software intervention prior to online replacement.
- D. A hot-swappable part requires software intervention prior to online replacement.

Answer: C

16. What are the differences between the Office Friendly Server (OFS) model and rack-mounted model Integrity rx2660 servers? (Select two.)

- A. The OFS model has n+1 power capability.
- B. The OFS model has n+1 cooling capability.
- C. The rack mounted model has n+1 power capability.
- D. The rack mounted model has n+1 cooling capability.

Answer: CD

17. You are replacing a hotplug PCI-X card in an HP Integrity rx3600 system, but you pressed the doorbell (attention) button on the wrong PCI-X slot.

What should your next action be to recover from this situation?

- A. Use the MP interface to initiate the slot again.
- B. Press the correct doorbell button within five seconds.
- C. Press the same doorbell button again after five seconds.
- D. Press the same doorbell button again within five seconds.

Answer: D

18. After pressing the doorbell (attention) button during the replacement of a hotplug PCI-X card, when can you physically replace the card?

- A. immediately
- B. after the double beep
- C. after closing the Module Release Lock (MRL)
- D. when the power LED goes from blinking to steady off

Answer: D

19. In an rx6600 server with a SAS P600 controller, you have attached an external tape device to port 1 externally and two disk drives on port 1 internally. The tape drive is not visible in the operating system. What do you do?

- A. Attach the tape drive to port 2 externally.
- B. Attach the disk drives to port 2 internally.
- C. Re-scan the SAS controller from the EFI.
- D. Disable the termination on port 1 externally, on the adapter end.

Answer: B

20. Which is the terminal emulation type that should be used to connect to the EFI Shell through the MP?

- A. VT100-8
- B. VT220-7
- C. HP2392A
- D. HP 70092

Answer: A