



KaozhengPro

IT認證考試題庫 專業平臺

考證寶提供最新考古題與模擬試題
協助您高效通過認證考試

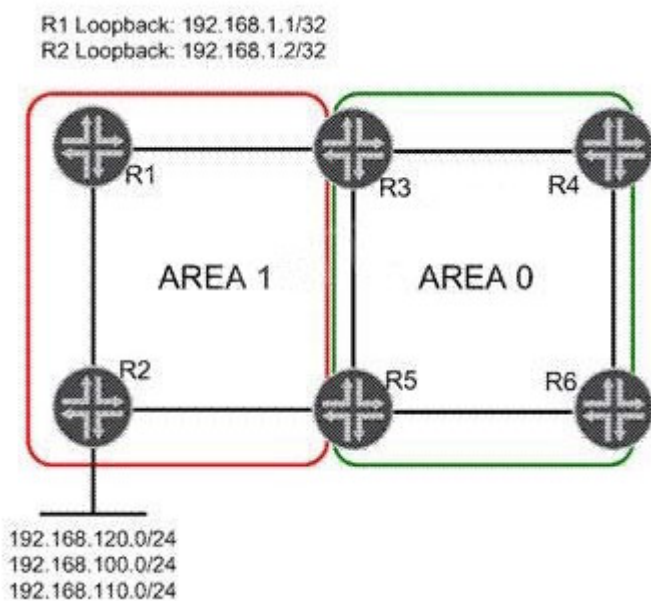
www.kaozhengpro.com

Exam : **JN0-660**

Title : Service Provider Routing
and Switching, Professional

Version : Demo

1. Click the Exhibit button.



In the exhibit, Area 1 is a not-so-stubby area. Three networks are redistributed into Area 1 on R2. You must summarize the redistributed network addresses in Area 1 so that only one network prefix is re-advertised into Area 0. You must also summarize the loopback addresses of R1 and R2 into a single address in Area 0.

Which configuration sample on R3 and R5 will complete this task?

- A. [edit protocols ospf area 0.0.0.1]
user@router# show
nssa {
 area-range 192.168.0.0/16;
 area-range 192.168.1.0/30;
}
- B. [edit protocols ospf area 0.0.0.0]
user@router# show
nssa {
 area-range 192.168.0.0/16;
 area-range 192.168.1.0/30;
}
- C. [edit protocols ospf area 0.0.0.1]
user@router# show
nssa {
 area-range 192.168.0.0/16;
}
area-range 192.168.1.0/30;
- D. [edit protocols ospf area 0.0.0.0]
user@router# show
nssa {
 area-range 192.168.0.0/16;
}
area-range 192.168.1.0/30;

- A. Option A
- B. Option B
- C. Option C
- D. Option D

Answer: C

2.Click the Exhibit button.

```
[edit]
user@host# run show route

inet.0: 7 destinations, 10 routes (6 active, 0 holddown, 3 hidden)
@ = Routing Use Only, # = Forwarding Use Only
+ = Active Route, - = Last Active, * = Both

10.10.10.0/30      *[Direct/0] 06:35:12
                  > via ge-1/0/0.0
10.10.10.2/32     *[Local/0] 06:35:12
                  Local via ge-1/0/0.0
10.10.56.0/30     +[Direct/0] 03:55:10
                  > via ge-1/0/1.0
10.10.56.2/32     +[Local/0] 03:55:10
                  Local via ge-1/0/1.0
192.168.56.1/32  @[IS-IS/18] 00:00:05, metric 10
                  > to 10.10.56.1 via ge-1/0/1.0
                  #[RSVP/7/1] 00:00:00, metric 10
                  > to 10.10.56.1 via ge-1/0/1.0, label-switched-path to-r6
192.168.56.5/32  +[Direct/0] 02:06:50
                  > via lo0.0

inet.3: 1 destinations, 1 routes (1 active, 0 holddown, 0 hidden)
+ = Active Route, - = Last Active, * = Both

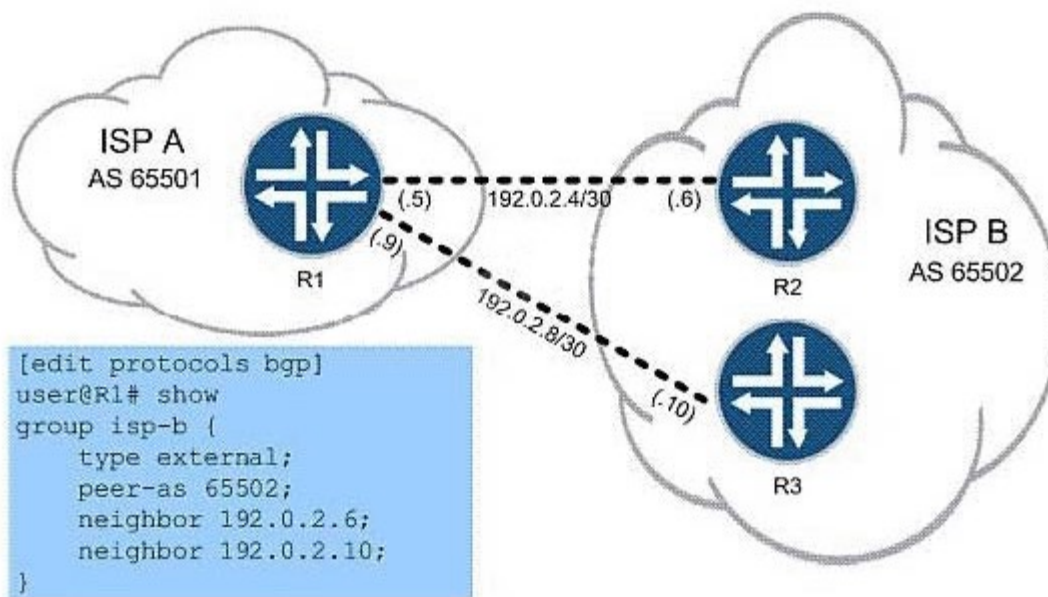
192.168.56.1/32  *[RSVP/7/1] 00:00:00, metric 10
                  > to 10.10.56.1 via ge-1/0/1.0, label-switched-path to-r6
```

Referring to the exhibit, which MPLS feature was used to make the LSP the preferred path for internal routes.?

- A. traffic engineering bgp-igp
- B. traffic engineering shortcuts
- C. traffic engineering mpls-forwarding
- D. install active

Answer: C

3 .Click the Exhibit button.



In the exhibit, ISP A is charged a higher rate for traffic sent to R2. You are asked to lower costs for ISP A by configuring R1 to send traffic to R3 whenever possible. What are two ways to do this? (Choose two.)

- A. set protocols bgp group isp-b neighbor 192.0.2.6 local-preference 120
- B. set protocols bgp group isp-b neighbor 192.0.2.6 local-preference 80
- C. set protocols bgp group isp-b neighbor 192.0.2.10 local-preference 120
- D. set protocols bgp group isp-b neighbor 192.0.2.10 local-preference 80

Answer: B,C

4.You are the administrator for a network that uses IBGP. As the network grows, you must examine options to support increased scale.

Which two scaling options should you consider? (Choose two.)

- A. route reflection
- B. areas
- C. zones
- D. confederations

Answer: A,D

5.You manage an MPLS network where the PE devices consist of multiple vendors. You are asked to conceal the MPLS topology for all LSPs.

Which global configuration parameter will accomplish this?

- A. Configure no-decrement-ttl on the ingress router only.
- B. Configure no-propagate-ttl on the ingress router only.
- C. Configure no-decrement-ttl on all routers within the MPLS network.
- D. Configure no-propagate-ttl on all routers within the MPLS network.

Answer: D

6.Click the Exhibit button.

```
[edit protocols mpls]
user@router# show
label-switched-path to-egress {
  to 192.168.1.1;
  install 172.20.20.0/24;
}
interface all;
```

Based on the configuration in the exhibit, which statement is correct?

- A. The 172.20.20.0/24 route is installed in the inet.0 table with the next hop of the LSP.
- B. The 172.20.20.0/24 route is installed in the mpls.0 table with the next hop of the LSP.
- C. The 172.20.20.0/24 route is installed in the inet.3 table with the next hop of the LSP.
- D. The 172.20.20.0/24 route is installed in the inet6.3 table with the next hop of the LSP.

Answer: C

7. In which two ways does VPLS populate the MAC table? (Choose two.)

- A. dynamically using BGP
- B. dynamically using the source MAC address on received frames
- C. dynamically using LDP
- D. statically using CLI

Answer: B,D

8. Which CoS feature supports per-VLAN queuing and scheduling?

- A. multilevel scheduling
- B. hierarchical scheduling
- C. tagged queuing
- D. per-instance queuing

Answer: C

9. Which two statements are true about OSPFv3? (Choose two.)

- A. OSPFv3 uses a 32-bit router ID to uniquely identify a node in the network.
- B. OSPFv3 uses a 128-bit router ID to uniquely identify a node in the network.
- C. OSPFv3 routes are always preferred over OSPFv2 routes for all traffic.
- D. OSPFv3 and OSPFv2 can be configured at the same time.

Answer: A,D

10. Click the Exhibit button.

```
[edit]
user@host# show class-of-service
schedulers {
  voice {
    transmit-rate percent 40;
    priority strict-high;
  }
  critical {
    transmit-rate percent 25;
    priority high;
  }
  less-critical {
    transmit-rate percent 15;
    priority medium-high;
  }
  data {
    transmit-rate percent 10;
    priority medium-low;
  }
  left-over {
    transmit-rate percent 5;
    priority low;
  }
}
```

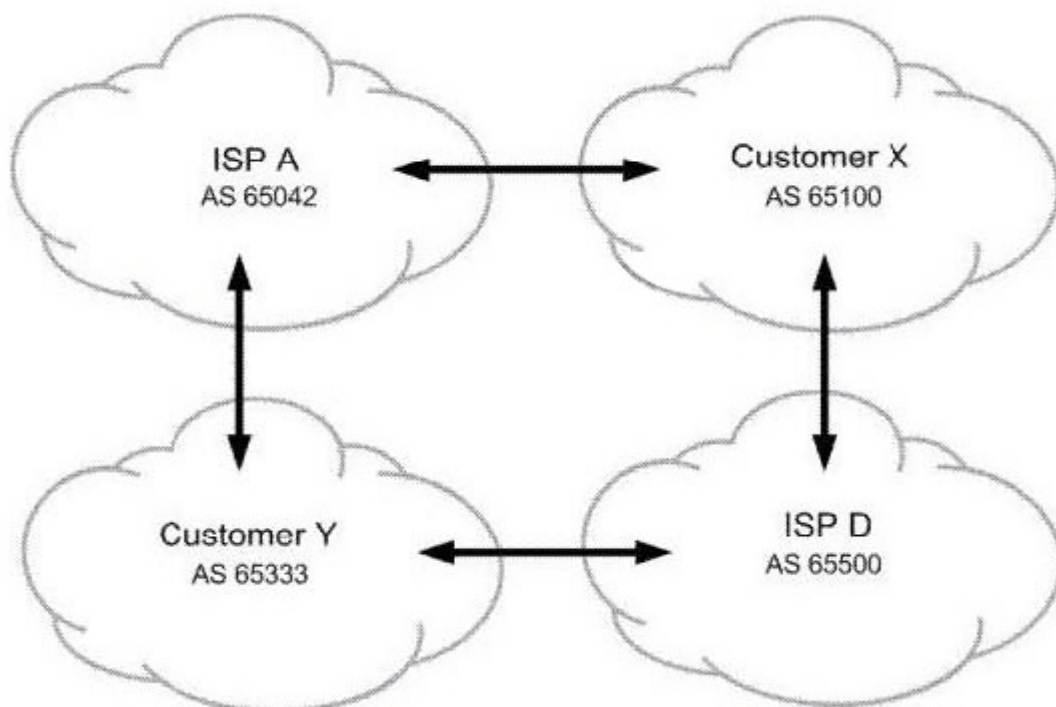
On your MX Series router, traffic using the critical scheduler is out of profile.

All other data is currently in profile. Referring to the exhibit, which statement is correct?

- A. The critical queue is serviced before the less-critical queue.
- B. The critical queue is serviced after the left-over queue.
- C. The critical queue is serviced before the data queue.
- D. The critical queue is serviced before the voice queue.

Answer: B

11. Click the Exhibit button.

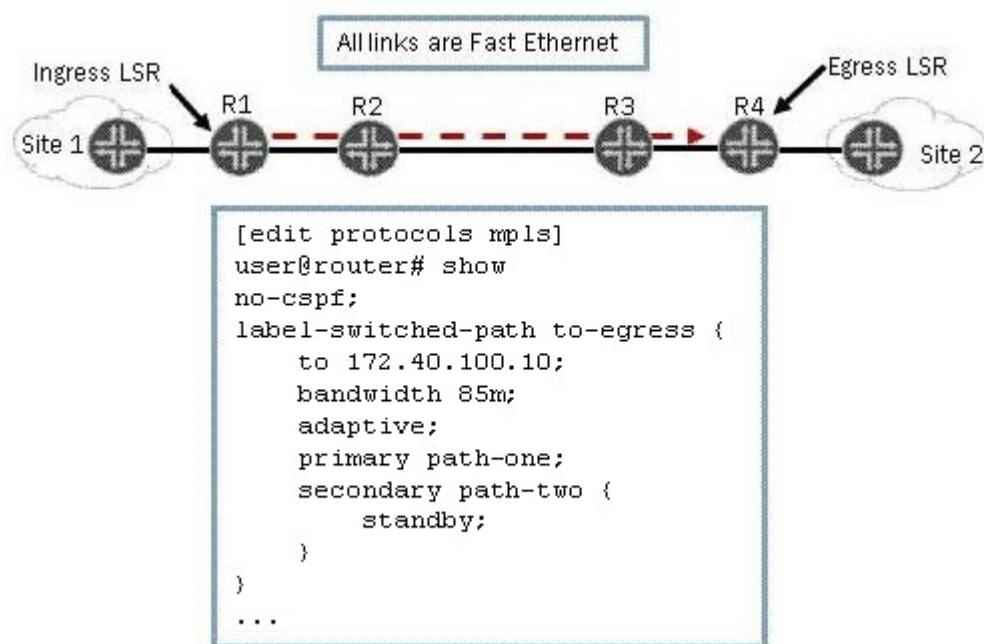


All networks shown in the exhibit contain more than one BGP speaking router. You operate ISP A. You must ensure that customer Y sends their traffic to you over the directly connected link but customer Y is not used for transit into your network. What do you do to accomplish this?

- A. Advertise routes to customer Y with the well-known no-transit community.
- B. Advertise routes to customer X with the well-known no-advertise community.
- C. Advertise routes to customer Y with the well-known no-export community.
- D. Advertise routes to customer X with the well-known as-transit community.

Answer: C

12. Click the Exhibit button.



As shown in the exhibit, you have an adaptive LSP that requires 85 Mbps. The LSP is configured with a primary path and a secondary path in standby mode. All connections in the MPLS network are Fast Ethernet.

Which statement is correct?

- A. The primary and secondary paths are in an up state and operational.
- B. The primary and secondary paths are in a down state and not operational.
- C. The secondary path is in a down state and not operational.
- D. The primary path is in a down state and not operational.

Answer: A

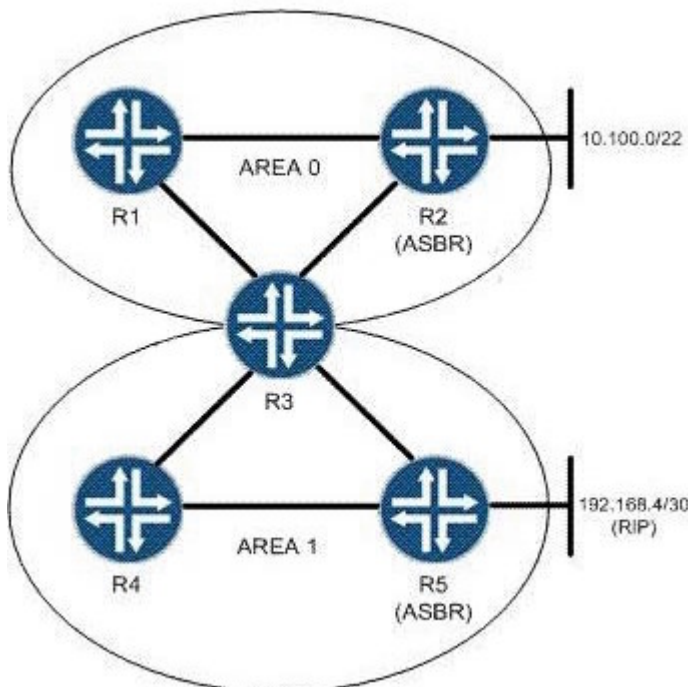
13. You are the administrator for a network that uses IS-IS as its IGP. As the network grows, you find that the protocol's default capabilities for setting metrics is limiting your options.

Which feature can you implement to provide a larger range of metric configuration capabilities?

- A. extended metrics
- B. wide metrics
- C. expanded metrics
- D. full metrics

Answer: B

14. Click the Exhibit button.



You are asked to configure an OSPF network based on the topology shown in the exhibit. You must keep the link-state database in Area 1 as small as possible. What will accomplish this?

- A. Area 0 should be configured as a stub area so that it will not announce routes into Area 1.
- B. Area 1 should be configured as an NSSA to limit the size of the link-state database.
- C. Area 1 should be configured as a stub area with no-summaries to limit the size of the link-state database.
- D. Area 0 should be configured with a virtual link to R4 to limit the size of the Area 1 link-state database.

Answer: C

15. You are provisioning a new customer for access to your Layer 3 VPN. The customer is using 172.16.35.0/24 as their internal IP address space, which is also being used by an existing Layer 3 VPN customer. The two customers share many PE routers in common across your network. Which mechanism allows these duplicate addresses to exist in your network?

- A. route origin
- B. route target
- C. route refresh
- D. route distinguisher

Answer: D

16. Click the Exhibit button.

```
drop-profiles {
  profileA {
    fill-level 60 drop-probability 60;
    fill-level 80 drop-probability 70;
    fill-level 100 drop-probability 100;
  }
}
```

Given the drop profile in the exhibit, what is the drop probability when the buffer reaches 90% full?

- A. 60%
- B. 70%
- C. 85%
- D. 90%

Answer: B

17. Click the Exhibit button.

```

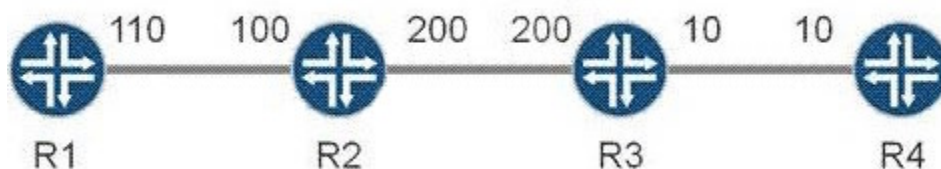
192.168.56.1
  From: 192.168.56.5, LSPstate: Up, ActiveRoute: 0
  LSPname: Bypass->10.10.56.1
  LSPtype: Static Configured
  Suggested label received: -, Suggested label sent: -
  Recovery label received: -, Recovery label sent: 299840
  Resv style: 1 SE, Label in: -, Label out: 299840
  Time left:    -, Since: Tue Feb 22 21:27:22 2011
  Tspec: rate 0bps size 0bps peak Infbps m 20 M 1500
  Port number: sender 1 receiver 18914 protocol 0
  Type: Bypass LSP
    Number of data route tunnel through: 0
    Number of RSVP session tunnel through: 0
  PATH rcvfrom: localclient
  Adspec: sent MTU 1500
  Path MTU: received 1500
  PATH sentto: 10.10.10.9 (ge-1/0/2.0) 2 pkts
  RESV rcvfrom: 10.10.10.9 (ge-1/0/2.0) 2 pkts
  Explot route: 10.10.10.9 10.10.10.6
  Record route: <self> 10.10.10.9 10.10.10.6
  
```

Referring to the exhibit, which type of traffic protection mechanism is used for the LSP?

- A. fast-reroute
- B. link-protection
- C. node-link-protection
- D. secondary

Answer: B

18. Click the Exhibit button.



All routers in the exhibit are running IS-IS level 2 routing. The wide-metrics-only parameter is configured on all routers.

Which metric does R1 see for the path to R4?

- A. 136
- B. 138
- C. 310
- D. 320

Answer: D

19. Which operational mode command displays the number of configured forwarding classes?

- A. show interfaces queue ge-1/0/0
- B. show interfaces terse
- C. show class-of-service interface
- D. show forwarding classes

Answer: A

20. Your multicast receivers are indirectly connected to an MX Series router. The receivers need to join multicast group 224.2.2.2. What must be configured in IGMP to receive report messages from receivers that are multiple hops away?

- A. By default, IGMP accepts report messages from indirectly connected receivers.
- B. Promiscuous mode must be enabled in IGMP.
- C. Promiscuous mode must be disabled in IGMP.
- D. DVMRP protocol must be configured.

Answer: B