



# IT認證考試題庫 專業平臺

考證寶提供最新考古題與模擬試題  
協助您高效通過認證考試

[www.kaozhengpro.com](http://www.kaozhengpro.com)

**Exam** : **JN0-663**

**Title** : Service Provider Routing  
and Switching, Professional  
(JNCIP-SP)

**Version** : DEMO

1.Exhibit:

The exhibit shows a network diagram and two configuration snippets. The diagram illustrates two Autonomous Systems (ASes): AS 65112 (top) and AS 65111 (bottom). AS 65112 contains two Provider Edge (PE) routers, PE-1 and PE-2, which are connected to each other and to two Provider (P) routers, P-1 and P-2. AS 65111 contains two Customer Edge (CE) routers, CE-A1 and CE-A2, which are connected to PE-1 and PE-2 respectively. Both CE-A1 and CE-A2 are connected to a Layer 3 VPN (VPN A) at Site 1 and Site 2. The configuration snippets show the BGP setup for CE-A1 and CE-A2, both using the same route-distinguisher (10.222.222.3:2) and vrf-target (target:65511:101). The BGP group for CE-A1 is named CE-A1 and for CE-A2 is named CE-A2.

```
[edit routing-instances CE-A1]
user@PE-1# show
instance-type vrf;
interface ge-0/0/9.0;
route-distinguisher 10.222.222.3:2;
vrf-target target:65511:101;
protocols {
  bgp {
    group CE-A1 {
      type external;
      peer-as 65111;
      neighbor 192.168.0.2;
    }
  }
}

[edit routing-instances CE-A2]
user@PE-2# show
instance-type vrf;
interface ge-0/0/9.0;
route-distinguisher 10.222.222.3:2;
vrf-target target:65511:101;
protocols {
  bgp {
    group CE-A2 {
      type external;
      peer-as 65111;
      neighbor 192.168.6.2;
    }
  }
}
```

Referring to the exhibit, hosts in Site 1 and Site 2 are unable to communicate with each other through the Layer 3 VPN.

What is the problem?

- A. The two sites are using the same route distinguishes.
- B. The two sites are in the same AS.
- C. The two sites are using the same instance type.
- D. The two sites are using the same route target.

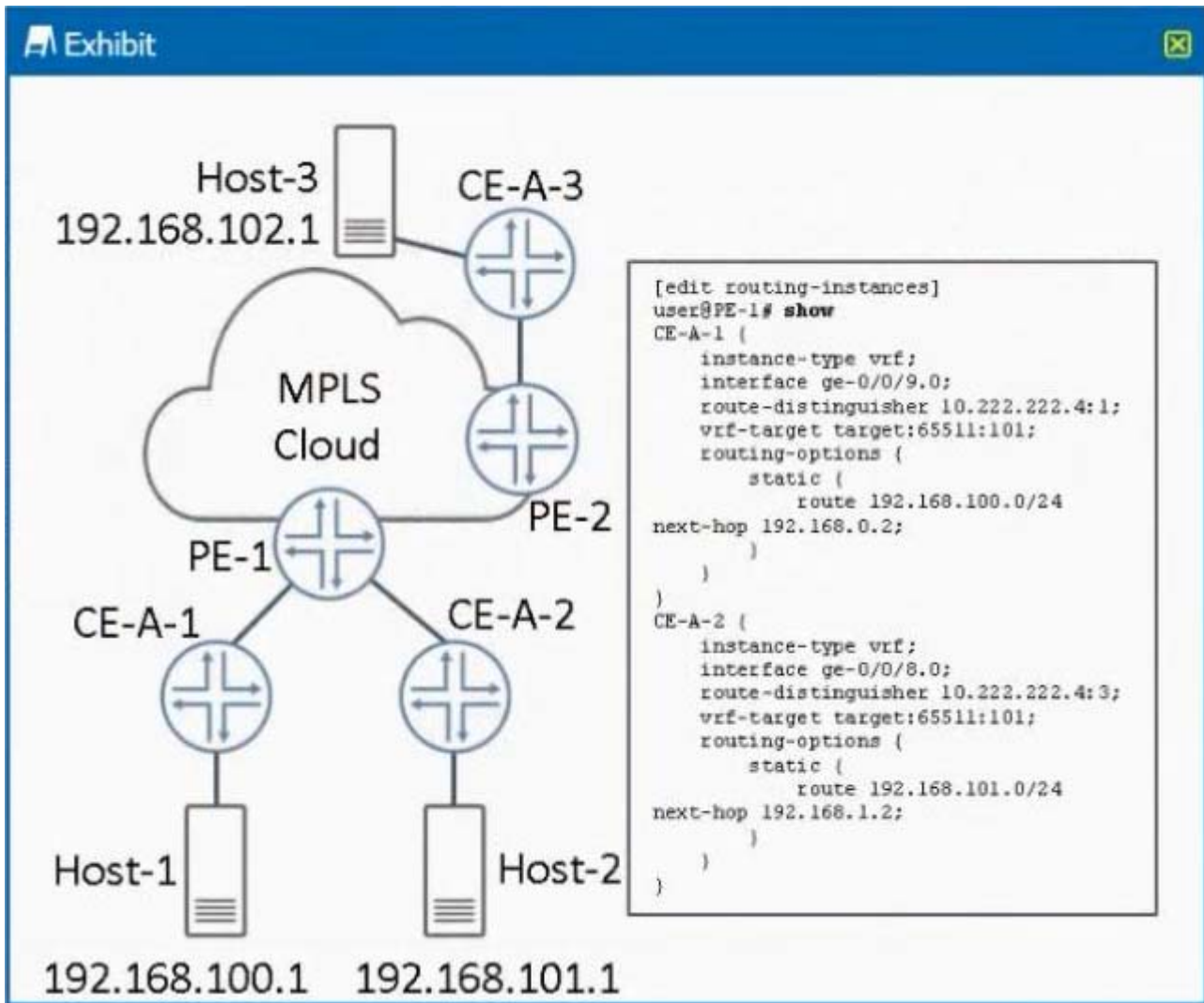
**Answer: B**

2.Which two statements regarding Ethernet segments (ES) are correct? (Choose two)

- A. The Type-1 EVPN route will indicate if the ES is all-active or single-active.
- B. The Type-4 EVPN route will be used to elect the designated forwarder for the ES.
- C. The Type-2 EVPN route will indicate if there is a designated forwarder on the ES.
- D. The Type-3 EVPN route will be used for the aliasing function to load-balance to the ES

**Answer: A,C**

3.Exhibit.

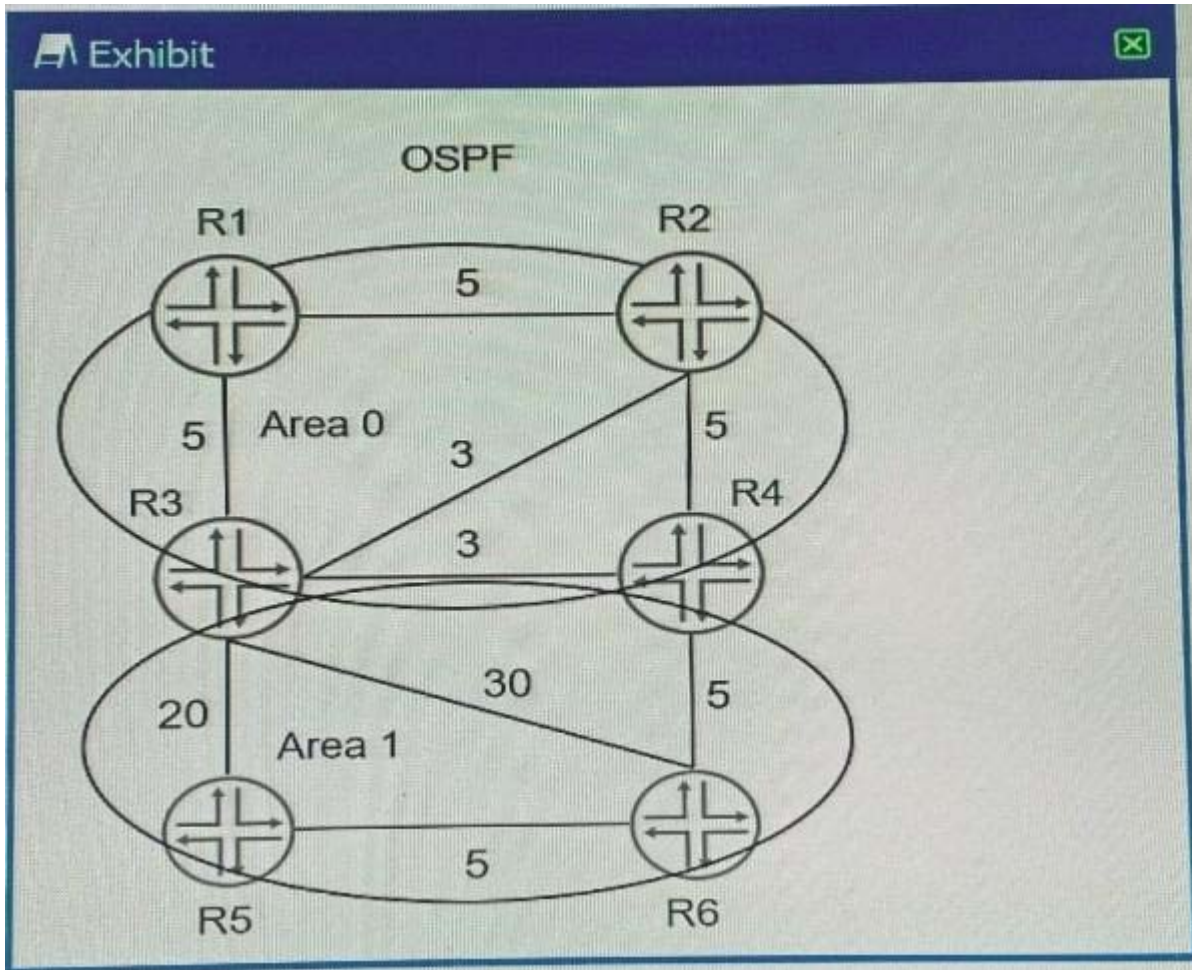


Referring to the exhibit, there is an Layer 3 VPN setup that connects sites CE-A-1, CE-A-2 and CE-A-3 together. Host-1 can communicate with Host-3, but Host-1 cannot communicate with Host-2. What must you do to solve the problem?

- A. Use the auto-export command in both routing instances
- B. Change the route distinguisher in both routing instances to the same value
- C. Use the next-table configuration statement for static routes in the corresponding routing instances.
- D. Use BGP instead of static routing between the CE and PE devices

**Answer: A**

4.Exhibit:

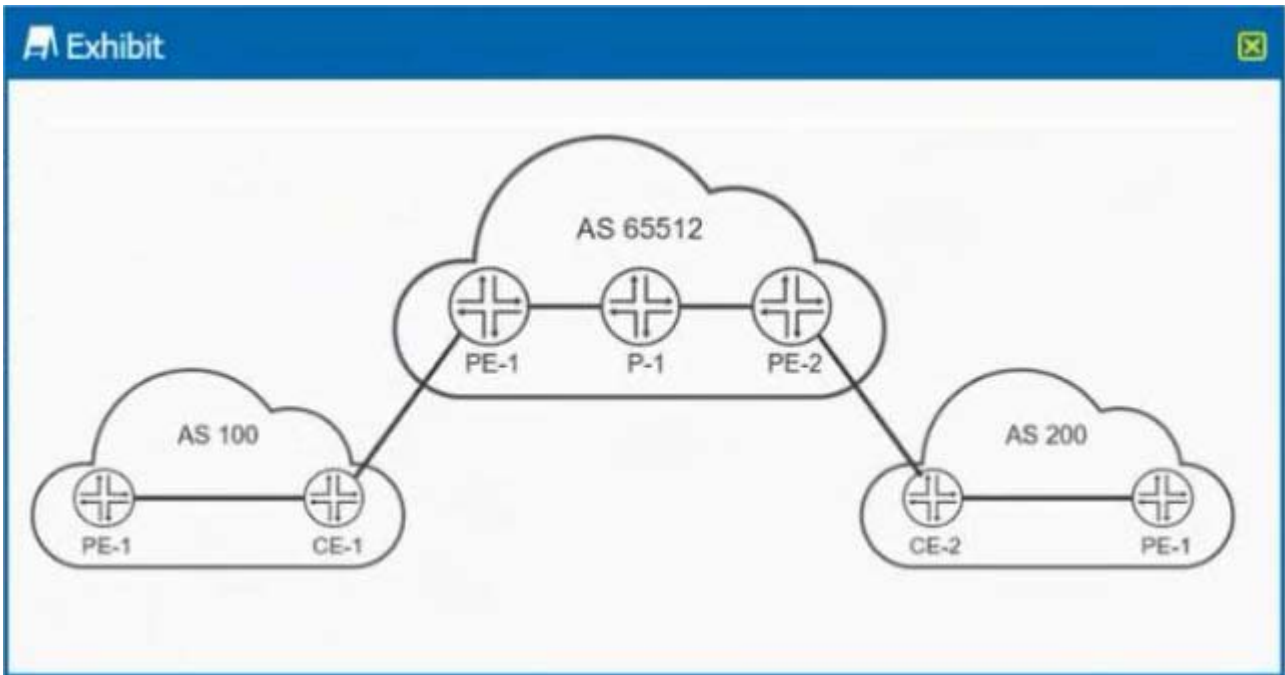


Referring to the exhibit, which path would traffic passing through R1 take to get.

- A. R1 -> R2 -> R4 -> R6
- B. R1 -> R2 -> R3 -> R6
- C. R1 -> R3 -> R5 -> R6
- D. R1 -> R3 -> R4 -> R6

**Answer: C**

5.Exhibit.



You are providing carrier-of-carrier VPN services for AS 100 and AS 200. You want to distribute MPLS labels between your PE routers and the AS 100 and AS 200 CE routers.

What must be enabled to accomplish this task?

- A. Use BGP with the labeled-unicast address family enabled
- B. Use RSVP with the tunnel-services parameter enabled
- C. Use BGP with the inet-vpn address family enabled
- D. Use RSVP with the lsp-set parameter enabled

**Answer: A**